



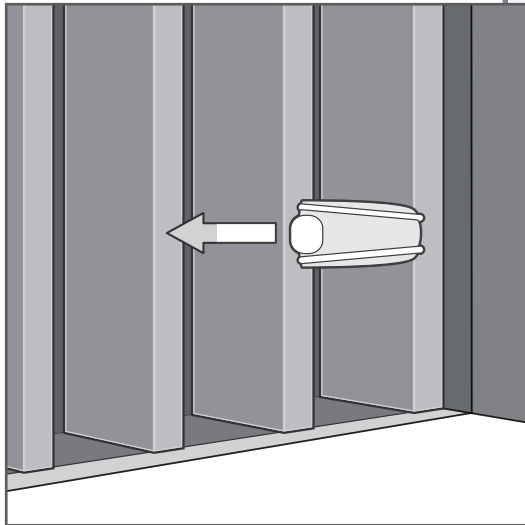
## SEATTLE SPORTS SOFGRIP™ BOAT WALL CRADLE MOUNTING INSTRUCTIONS

### Find wall studs, pre-drill pilot holes

Before mounting Kayak Wall Cradles locate and mark the position of your wall studs. DRYWALL ALONE CAN'T HOLD THE WEIGHT OF A KAYAK. Position Kayak Wall Cradles with flat bases against wall. The width between cradles depends on YOUR BOAT. Cradles should be positioned near the ENDS of your kayak for maximum balance. See Caution note below.

Throughout this process, check to make sure your cradles are level and at the same height.

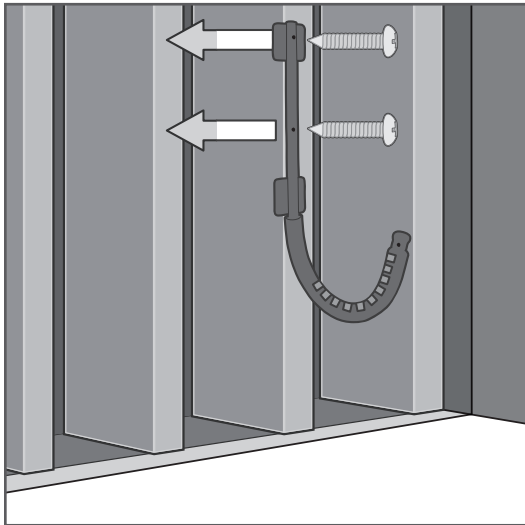
**IMPORTANT:** To make mounting easier, pre-drill small pilot holes; this allows easier penetration for the screws and helps eliminate stripping of the screw heads.



### Mounting

Using provided mounting screws, screw cradles into wall studs. DRYWALL ALONE CAN'T HOLD THE WEIGHT OF A KAYAK. Make sure mounting screws have penetrated studs and kayak is secure.

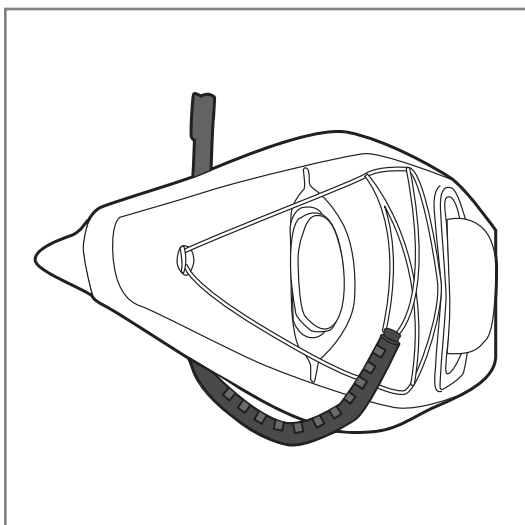
Test all surfaces for proper weight distribution. Maximum recommended weight is 200 lbs, but this amount may be lower depending on the construction of your wall. Seattle Sports does not have control over how this device is used or attached to a wall; therefore, Seattle Sports disclaims any and all liability for damage or injury that might occur as a result of improper use of this product.



### Check your work

Once your kayak is on the cradles, check the balance. Make sure your kayak does not slide or tilt away from the wall.

**CAUTION:** It is possible that your boat may appear sturdy on the cradles, but be too vertically oriented as it rests on the wall; thus the boat can tip out of the cradles. The closer to the ends of your boat you position the cradles the more slant you can create for your boat to rest firmly on the wall.



Seattle Sports products are guaranteed for workmanship and materials for one year. Should this product fail during this period, Seattle Sports will repair or replace the product at their discretion (after product inspection). Please write Seattle Sports Company for a return authorization at 3217 W. Smith St. #1, Seattle WA 98199. This warranty is void with commercial use. © copyright 2012 Seattle Sports