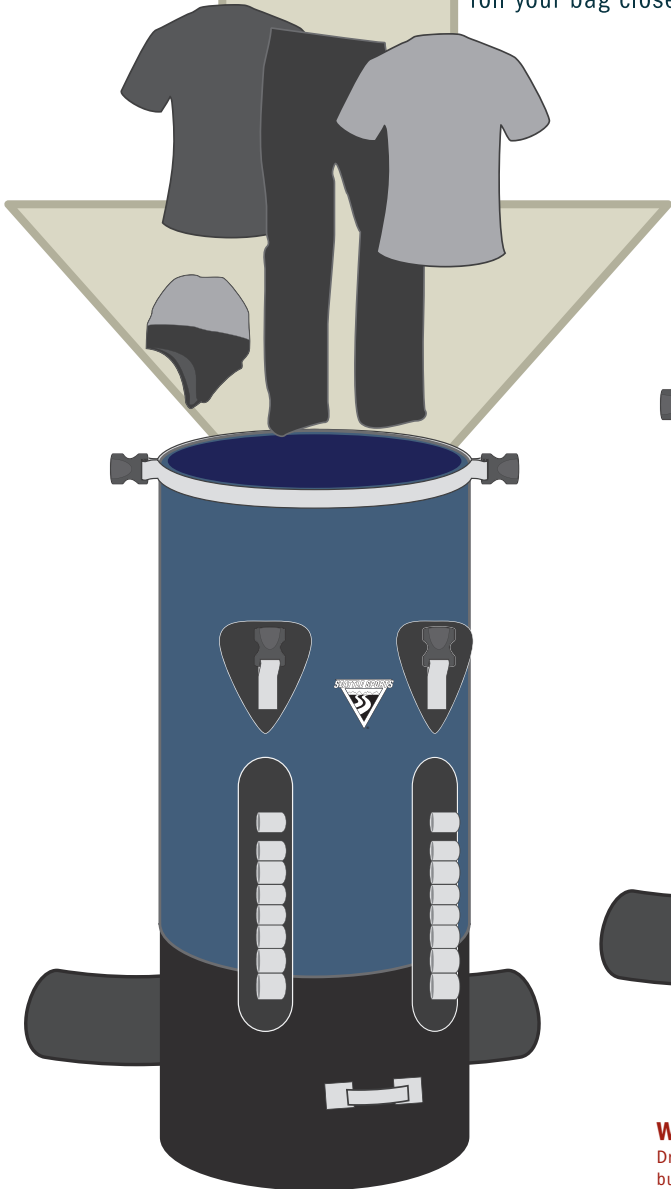


THREE ROLL CLOSURE CANYON PACK INSTRUCTIONS

Stuff Goes In!

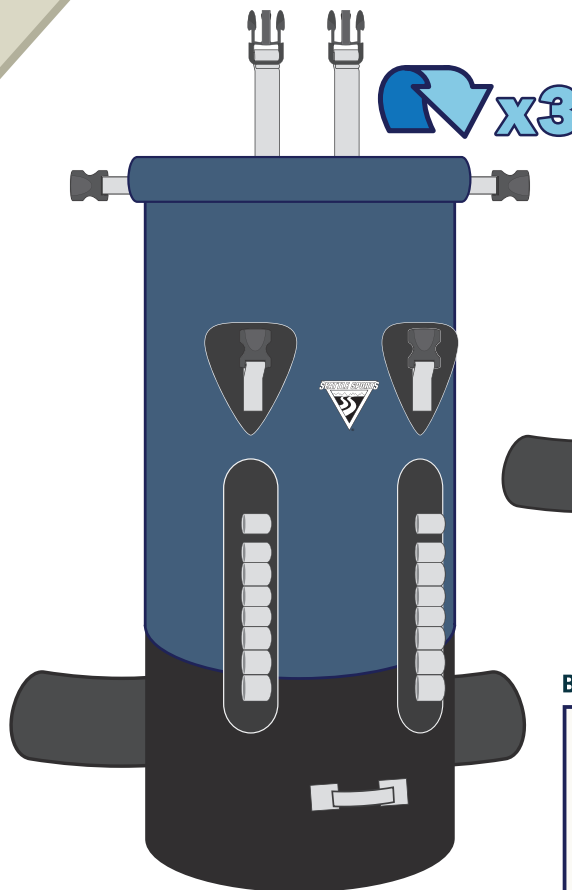
Leave enough space to roll your bag closed.



Roll it

Fold the top over once where the buckles create an edge. Squeeze any extra air out of the bag.

Maintaining the single fold, continue to roll closed a minimum of three times.

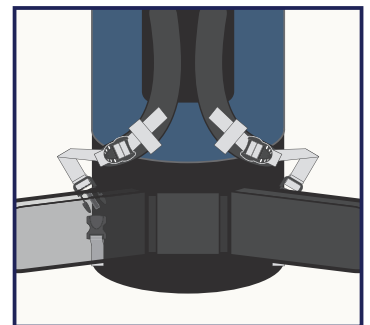


Buckle it

Your bag cinches down over the top, down the sides, or both. The Canyon pack also includes multiple daisy-chain attachments, padded shoulder straps and lumbar support, making it the ideal long haul portage bag.



BACK BUCKLES



WARNING

Dry bags are superior protection, but this bag is not suitable for protection from submersion.

Dry bags are designed to provide enhanced protection from rain and temporary contact with water.



SEATTLE SPORTS COMPANY

3217 W Smith St. #1

Seattle, WA. 98199

© 2011 Seattle Sports Co.

WARRANTY

Seattle Sports Company are guaranteed for materials and workmanship for one year. Normal wear and tear or damage from misuse, accident or alterations are not covered. Use of this product in a professional setting is not covered. Seattle Sports assumes no liability for incidental damages or

injuries resulting from the use or misuse of this product. You may have additional warranties or limitations outlined in product packaging. Not intended for storage of optical, photographic or electrical equipment.