

SOS SEA★STAR *Deluxe*

HydroStar™ Light Functions

There are 5 different light settings on your HydroStar™. Choose your desired setting by pushing the power button.

1 CLICK



3 LED Light
(10 lumens)

2 CLICKS



3 LED Strobe
(15 lumens)

3 CLICKS



360° Deck Light
(green=6 lumens
red= 2 lumens)

4 CLICKS



Emergency 1 Watt
LED Strobe
(65 lumens)

HOLD FOR 5 SECONDS



Programmed
SOS Signal
(65 lumens)

HydroStar™ Battery Change

To Change Batteries:

Requires:

Three AAA batteries

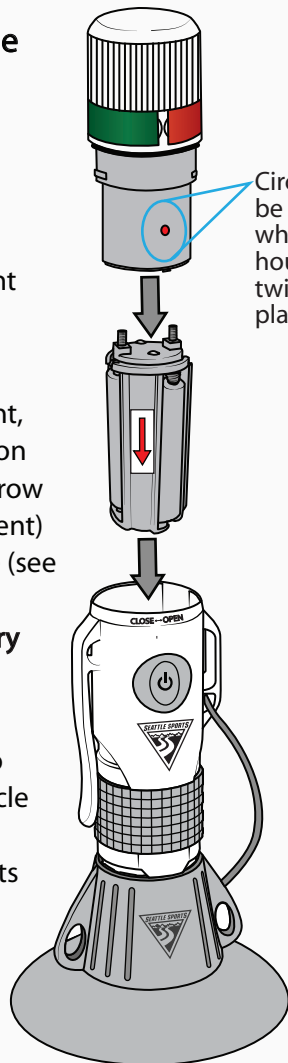
1. Twist off light housing
2. Remove battery compartment from base
3. Replace batteries
4. Reinsert battery compartment, making sure to align groove on battery compartment (see arrow sticker on battery compartment) to the groove inside the base (see arrow sticker inside base).

Match arrow sticker on battery compartment with arrow sticker inside base.

5. Insert light housing back into base making sure to keep circle on housing at front. Twist clockwise until tight and lights are realigned at center.

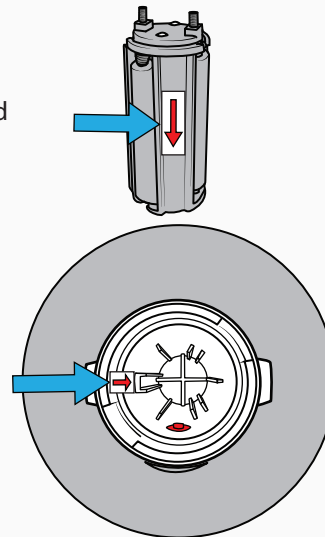
Make sure circle on light housing is at front - needs to line up with on/off button.

Be sure not to press down too hard on the light housing or twist too far (past center) as this may damage the rubber O-ring seal and reduce waterproofness of light.



Circle should be in front when light housing is twisted into place

STEP 4: Line up arrow on battery housing with arrow inside base.



For 360° Deck Light:

To Remove Red and Green Lens Covers:

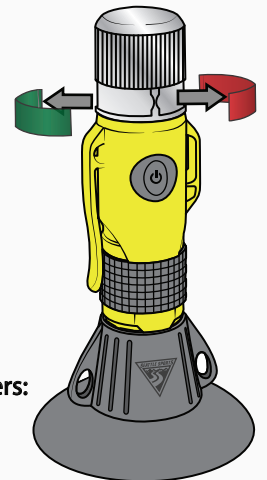
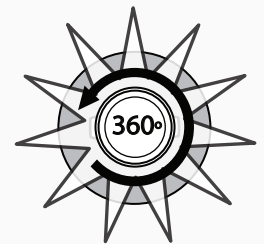
Red and green lens covers can be removed by unclipping them from light housing at the knuckles. Lens covers can be clipped back into place when finished using 360° feature.

Proper Red/Green Marker Alignment

*Align the red marker with the port side (left side while looking at bow from cockpit) of vessel.

For more information on navigation light rules and regulations, please visit;

http://www.boatsafe.com/nauticalknowhow/boating/4_2_b.htm



GUARANTEE

Seattle Sports Products are guaranteed for material and workmanship for one year. This warranty is only applicable if all instructions are followed and product is used as recommended. Seattle Sports is not liable for water damage due to improper handling of components. Normal wear and tear or damage resulting from misuse, accidents or alterations are not covered. Use of this product in a Professional setting is not covered. Seattle Sports assumes no liability for incidental damages or injury resulting from use or misuse of this product. You may have additional warranties or limitations outlined in product packaging. Thank you for purchasing our products. Please contact us with any questions or concerns about our products.